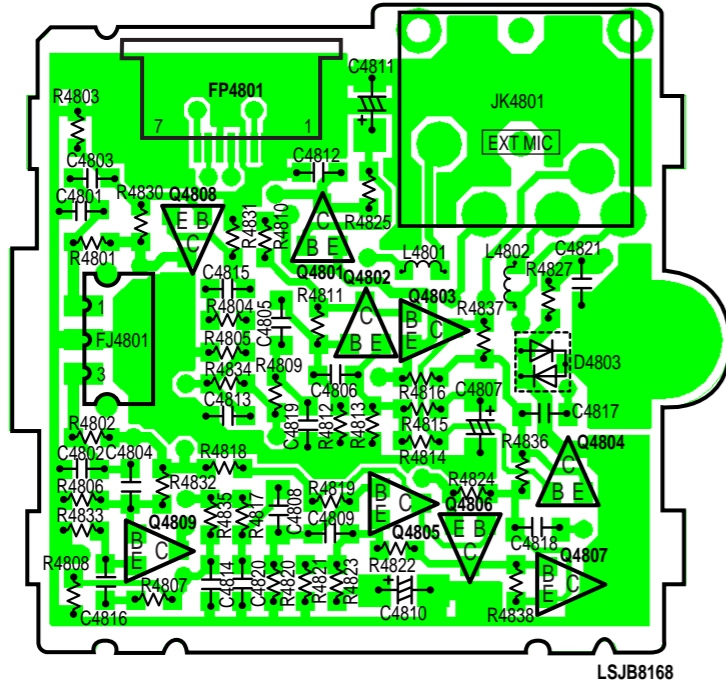


MICROPHONE C.B.A. LSXM0024

“FOR REFERENCE ONLY”

NOTE:
MICROPHONE C.B.A. IS NOT SERVICEABLE AND IS SUPPLIED AS A UNIT ONLY FOR REPLACEMENT.

(FOIL SIDE)



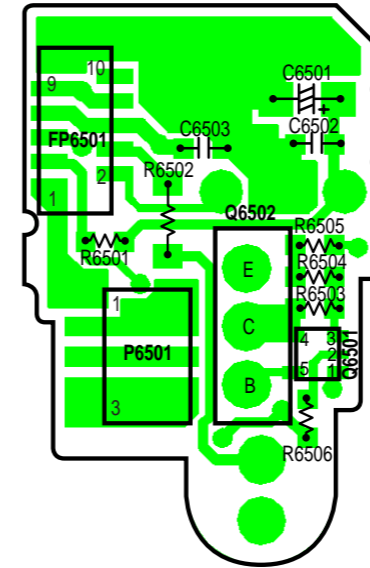
(DUAL PATTERNS)

FRONT C.B.A. LSEP8193A1

“FOR REFERENCE ONLY”

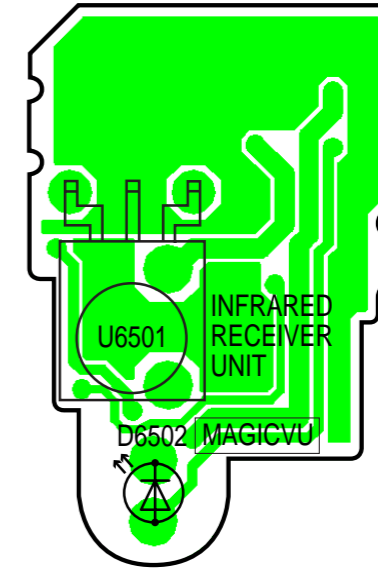
NOTE:
FRONT C.B.A. IS NOT SERVICEABLE AND IS SUPPLIED AS A UNIT ONLY FOR REPLACEMENT.

(COMPONENT SIDE)



(DUAL PATTERNS)

(FOIL SIDE)



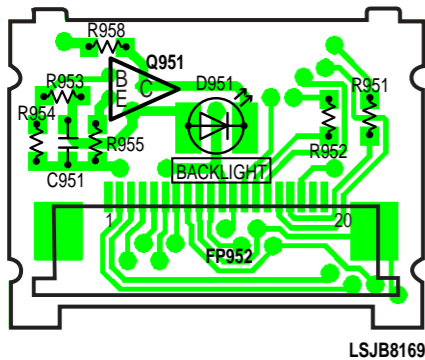
(DUAL PATTERNS)

EVF BACK LIGHT C.B.A. LSEP8169B1

“FOR REFERENCE ONLY”

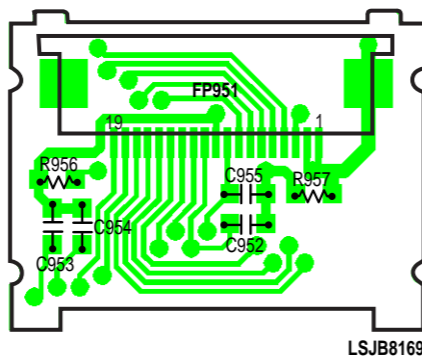
NOTE:
EVF BACK LIGHT C.B.A. IS NOT SERVICEABLE AND IS SUPPLIED AS A UNIT ONLY FOR REPLACEMENT.

(COMPONENT SIDE)



(DUAL PATTERNS)

(FOIL SIDE)



(DUAL PATTERNS)

NOTE:
FOR SCHEMATIC DIAGRAM AND CIRCUIT BOARD LAYOUT NOTES, REFER TO BEGINNING OF SCHEMATIC SECTION.

NOTE:
CIRCUIT BOARD LAYOUT SHOWS COMPONENTS INSTALLED FOR VARIOUS MODELS. FOR PROPER PARTS CONTENT FOR THE MODEL YOU ARE SERVICING, PLEASE REFER TO THE SCHEMATIC DIAGRAM AND PARTS LIST.

NOTE:
CIRCUIT BOARD LAYOUT INCLUDES COMPONENTS WHICH ARE NOT USED.

MICROPHONE C.B.A. LSXM0024
FRONT C.B.A. LSEP8193A1
EVF BACK LIGHT C.B.A. LSEP8169B1

NV-DS29EG/NV-DS29EGM/NV-DS29B/NV-DS29EGE/NV-DS30EG/NV-DS30EGM/NV-DS30B/NV-DS30EGE/
NV-DS30EN/NV-DS30ENT/NV-DS30ENC/NV-DS30A/NV-DS50EN/NV-DS50ENT/NV-DS50A